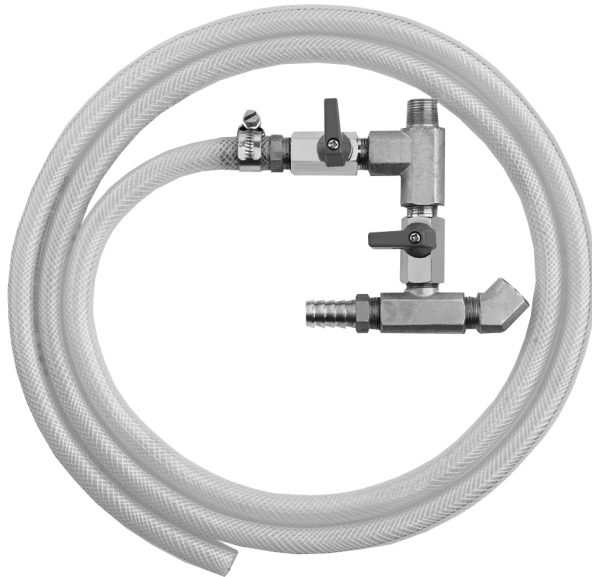


Clanbro®



SODA BLAST CONVERSION KIT MODEL NO: CSBCT

PART NO: 7640131

OPERATION & MAINTENANCE INSTRUCTIONS



LS0216

INTRODUCTION

Thank you for purchasing this CLARKE Soda Blast Conversion Kit.

Before attempting to use this product, please read this manual thoroughly and follow the instructions carefully. In doing so you can look forward to your purchase giving you long and satisfactory service.

RECOMMENDED USE

Soda blasting accessory for use in conjunction with the Clarke CPSB100 and CPSB200 sandblasters.

Soda blasting is especially suitable in the classic car market as soda will not etch glass and will not warp or remove metalwork. Surface will be left smooth. Soda also leaves a rust inhibitor behind for up to six weeks.

Use with Clarke Soda Blasting Grit (See page 7).

GUARANTEE

This product is guaranteed against faulty manufacture for a period of 12 months from the date of purchase. Please keep your receipt which will be required as proof of purchase.

This guarantee is invalid if the product is found to have been abused or tampered with in any way, or not used for the purpose for which it was intended.

Faulty goods should be returned to their place of purchase, no product can be returned to us without prior permission.

This guarantee does not effect your statutory rights.

WHAT IS SUPPLIED

Contact your Clarke dealer if any items are missing or damaged.

- 1 x Soda Blast Adaptor
- 1 x Exhaust Hose
- 2 x Hose Clip

SAFETY INSTRUCTIONS



WARNING: TURN OFF OR DISCONNECT FROM AIR SUPPLY BEFORE SERVICING OR PERFORMING ANY MAINTENANCE AND WHEN UNIT IS NOT IN USE. FAILURE TO COMPLY WITH THIS INSTRUCTION MAY DAMAGE THE UNIT AND WILL INVALIDATE YOUR WARRANTY



WARNING: WEAR APPROVED EAR, EYE, HAND AND RESPIRATORY PROTECTION WHEN OPERATING THE BLASTER. A FULL RANGE OF PERSONAL SAFETY EQUIPMENT IS AVAILABLE FROM YOUR CLARKE DEALER

- Spillages of abrasive material, which may be slippery, must be cleaned up immediately to avoid injury.
- Replace or repair damaged parts- Use recommended parts only. Non-authorized parts may be dangerous and will invalidate the warranty.
- Remove loose clothing. Remove ties, watches, rings, other loose jewellery and contain long hair.
- Always keep the blast nozzle directed at the workpiece.
- Keep all other persons away from the working area. Contact with a high pressure blast or inhaling the dust generated is dangerous.
- DO NOT operate the blaster if any parts are missing or damaged as this may cause failure and/or personal injury.

NOTE: This manual is only for the soda blasting conversion kit, for full safety, assembly and operating instructions please refer to the manual for the Clarke CPSB100 or CPSB200.

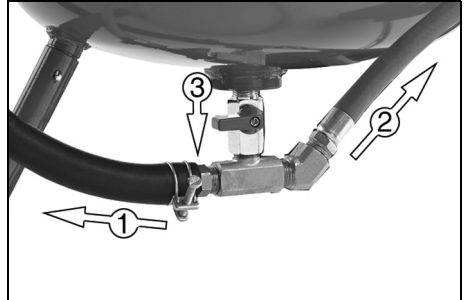
ASSEMBLY



WARNING: BEFORE OPERATING THE UNIT ENSURE YOU READ, UNDERSTAND AND APPLY ALL SAFETY INSTRUCTIONS.

REMOVE THE STANDARD MANIFOLD

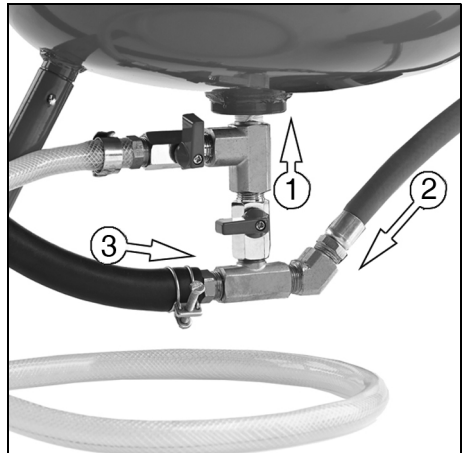
1. Loosen the hose clamp on the blasting hose and pull the hose off of the connector.
2. Unscrew the air hose from the manifold.
3. Unscrew the manifold from the tank.



FIT THE SODA BLASTING MANIFOLD

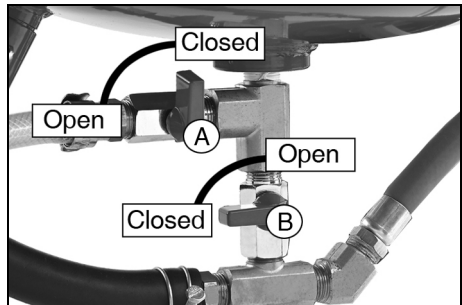
NOTE: Use PTFE tape on threaded connections for an air tight seal.

1. Screw the new manifold onto the tank until tight, (use a spanner).
 - Make sure that the air hose connection faces the back of the tank.
2. Screw in the air hose and tighten with a spanner.
3. Push the blasting hose onto the lower connector, tighten the clamp with a flat head screwdriver.
4. If the exhaust hose is not connected push it onto the remaining connector.
5. Tighten any hose clips.



INSTRUCTIONS FOR USE

1. Before blasting ensure both valves on the manifold are in the closed position.
2. See the CPSB100 or CPSB200 manual for correct operating procedures.
3. Open the lower soda metering valve (B).
4. If the sandblaster gets clogged up, close the lower soda metering valve (B) and open the exhaust valve (A), only open for a short time and ensure the hose is directed into a container or away from people and the workpiece.



MAINTENANCE

Please refer to the CPSB100 or CPSB200 manual for all maintenance instructions.

ALSO AVAILABLE FROM YOUR CLARKE DEALER

PRESSURISED SANDBLASTER



CPSB100

- Heavy duty steel construction
- Removes surface rust, paint, dirt/grease etc.
- Pressurised design gives greater power than its siphon fed equivalent
- Facility to control the sand & the outlet air flow
- 32 litre tank capacity
- Safety shut off valve
- Inc. 4 ceramic nozzles (2, 2.5, 3, 3.5mm), pressure gauge, hose, hood & funnel
- Part No. 7640130



CPSB200

- Heavy duty steel construction
- Removes surface rust, paint, dirt/grease etc.
- Pressurised design gives greater power than its siphon fed equivalent
- Facility to control the sand & the outlet air flow
- 63 litre tank capacity
- Safety shut off valve
- Inc. 4 ceramic nozzles (2, 2.5, 3, 3.5mm), pressure gauge, hose, hood & funnel
- Part No. 7640128

SODA GRIT



MODEL NO.	DESCRIPTION	PART NO.
	Soda Blast Abrasive - Coarse (7.5kg)	3052805
	Soda Blast Abrasive - Coarse (22kg)	3052800

OTHER ABRASIVES AVAILABLE FROM CLARKE

MODEL NO.	DESCRIPTION	PART NO.
AOP60	60 Grit Aluminium Oxide Abrasive (22kg)	3052070
AOP80	80 Grit Aluminium Oxide Abrasive (22kg)	3052075
AOP120	120 Grit Aluminium Oxide Abrasive (22kg)	3052080
	60/80 Grit Aluminium Oxide Abrasive (7.5kg)	3052100
	60/80 Grit Aluminium Oxide Abrasive (20kg)	3052110
	80/120 Grit Aluminium Oxide Abrasive (7.5kg)	3052105
GP22	30/60 Grit Garnet Abrasive (22kg)	3052090
	23 BOL Glass Bead Abrasive (20kg)	3052095

A SELECTION FROM THE VAST RANGE OF

Clarke®

QUALITY PRODUCTS

AIR COMPRESSORS

From DIY to industrial, Plus air tools, spray guns and accessories.

GENERATORS

Prime duty or emergency standby for business, home and leisure.

POWER WASHERS

Hot and cold, electric and engine driven - we have what you need

WELDERS

Mig, Arc, Tig and Spot. From DIY to auto/industrial.

METALWORKING

Drills, grinders and saws for DIY and professional use.

WOODWORKING

Saws, sanders, lathes, mortisers and dust extraction.

HYDRAULICS

Cranes, body repair kits, transmission jacks for all types of workshop use.

WATER PUMPS

Submersible, electric and engine driven for DIY, agriculture and industry.

POWERTOOLS

Angle grinders, cordless drill sets, saws and sanders.

STARTERS/CHARGERS

All sizes for car and commercial use.



PARTS & SERVICE: 0208 988 7400

E-mail: Parts@clarkeinternational.com or Service@clarkeinternational.com

SALES: UK 01992 565333 or Export 00 44 (0)1992 565335

Clarke® INTERNATIONAL Hemnall Street, Epping, Essex CM16 4LG
www.clarkeinternational.com